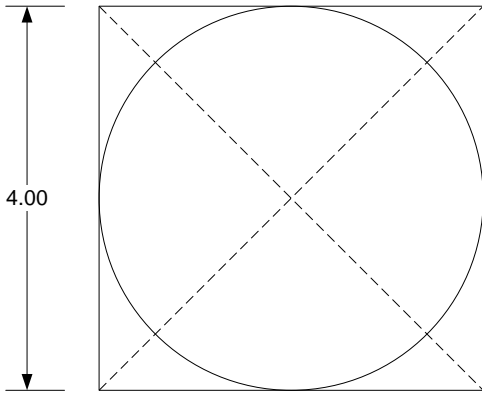


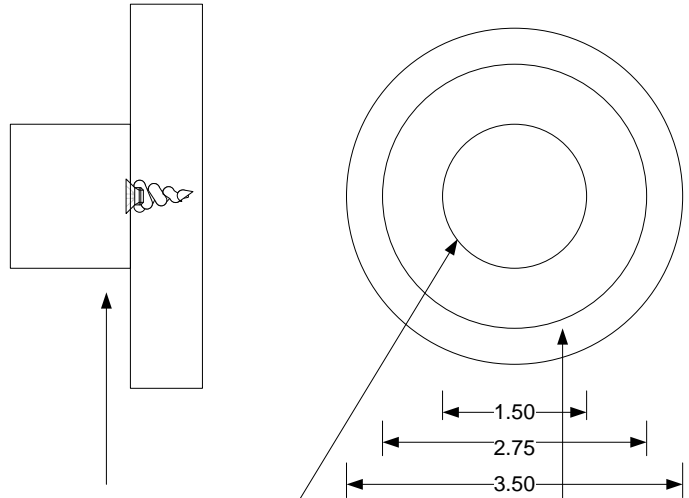
Bangles

Tools and materials

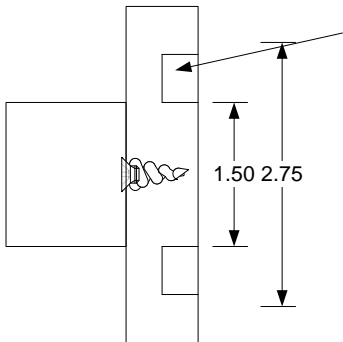
Parting tool, bowl gouge, side-scraper, inside callipers, outside callipers, compasses, Screw chuck, cole jaws, 4 mm drill, piece wood 4" square * 3/4" thick (oak or ash)



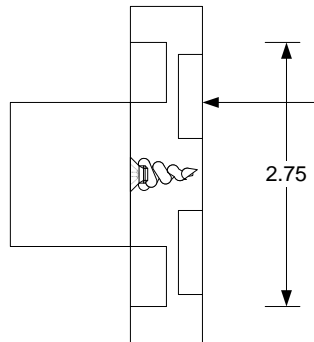
1. Mark centre of wood and draw a circle.
2. Cut wood to circle with band saw.
3. Drill 4 mm hole in centre.



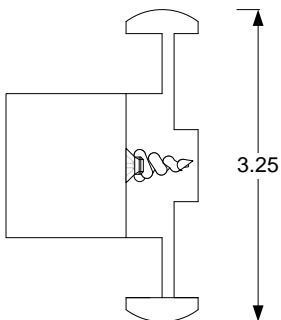
4. Mount on a screw chuck and turn to round with A bowl gouge.
5. mark a circle the diameter of the screw chuck (e.g. 1.5")
6. Mark a circle the inner diameter of the bangle: 2.5" for slim hands, 2.75" for medium hands, 3" for larger hands
7. Turn the outside diameter to the appropriate thickness.



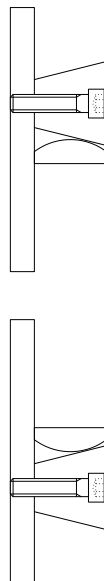
8. Make a cut about half depth Of wood with parting tool, but not To the outside line.
9. Use side-scraper for a Finishing cut to enlarge cut to outside line. Use inside callipers to measure diameter.
10. Use a bowl gouge for Finishing cut to side surface



11. Reverse wood on chuck.
12. Cut in with parting tool, but not quite through. Use outside callipers To measure thickness.
13. Use side scraper to enlarge Cut to required diameter (use Inside callipers to check).
14. Use bowl gouge for finishing Cut to side surface.



15. Shape outside of bangle Using bowl gouge.
16. Sand, seal & polish all Surfaces
17. Using side scraper cut through to part off the bangle.



18. Mount bangle in cole jaws.
19. Carefully finish the inside Of the bangle using the side scraper.
20. Sand, Seal, Polish.